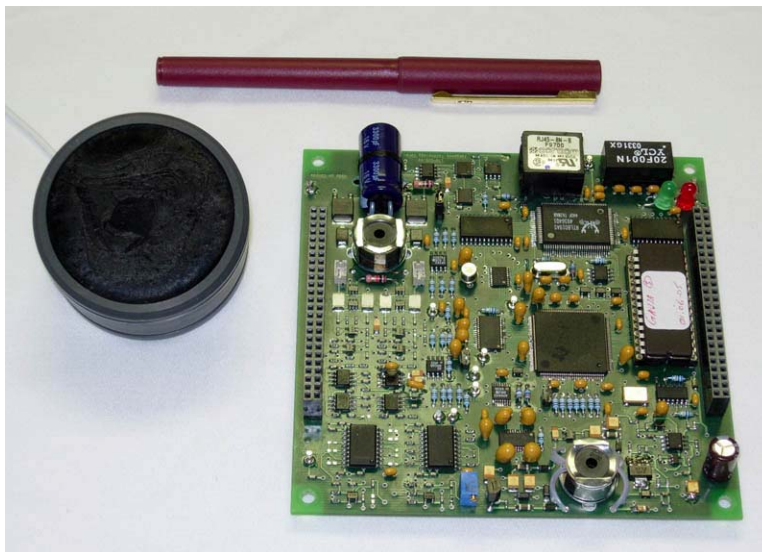


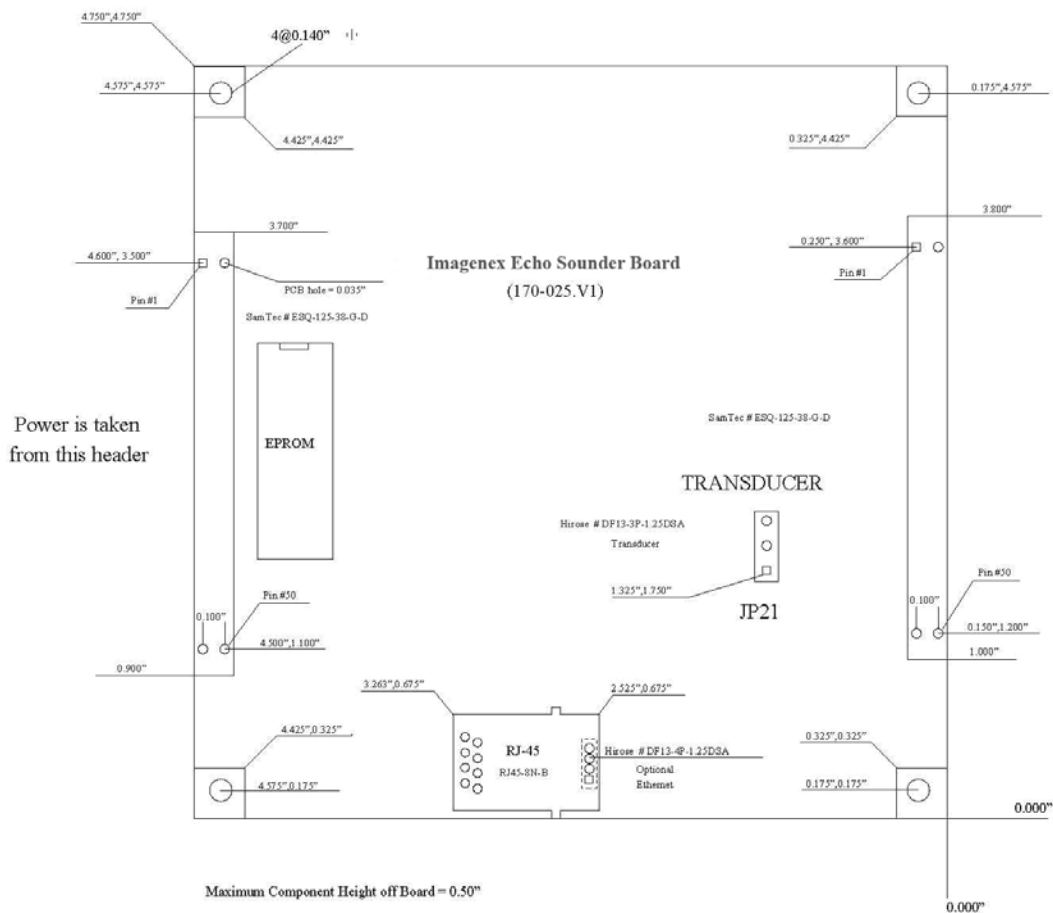
LOW FREQUENCY ECHO SOUNDER / ALTIMETER KIT (ETHERNET COMMUNICATIONS)

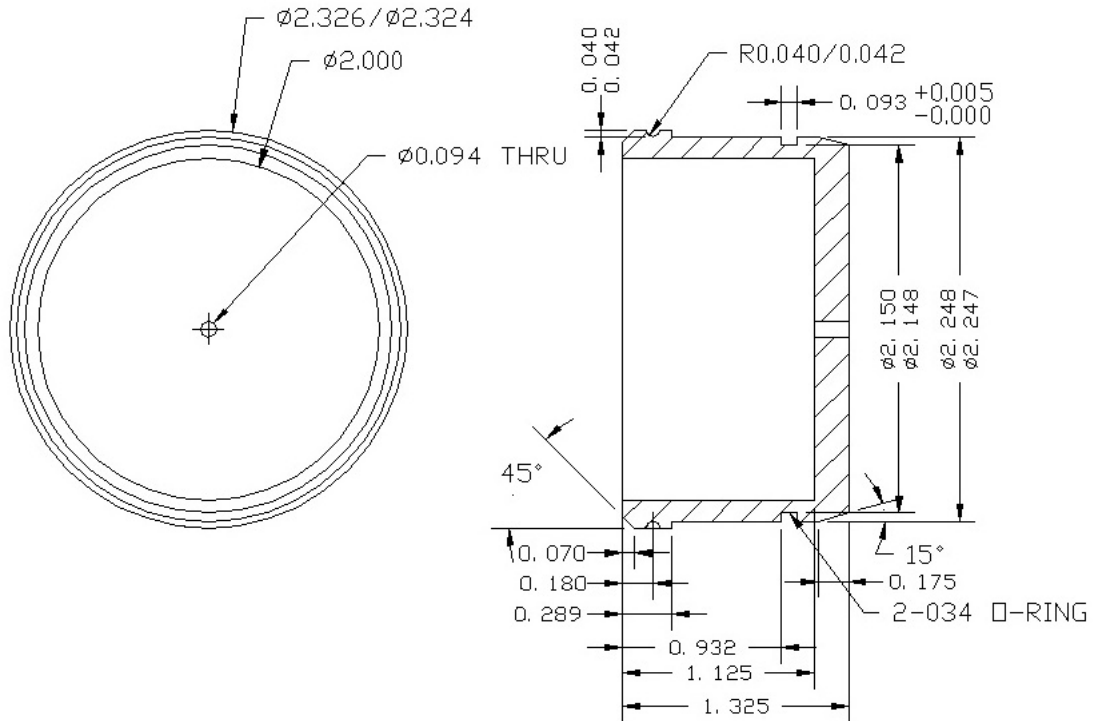


HARDWARE SPECIFICATIONS:	
INTERFACE	Ethernet
FREQUENCY	120 kHz
RANGE	1 m – 250 m & 300 m (3.3' – 820' & 985')
TRANSDUCER	Conical beam
TRANSDUCER BEAM WIDTH	20°
TRANSMIT PULSE LENGTH	1 millisecond
RANGE RESOLUTION	0.2% of range
MIN. DETECTABLE RANGE	80 cm (31.5")
POWER SUPPLY	Nominal 24 VDC (22 VDC – 33 VDC) at less than 2.5 Watts
ELECTRONICS DIMENSIONS	120.65 mm (4.75") x 120.65 mm (4.75") 111.76 mm (4.4") between mounting holes
TRANSDUCER DIMENSIONS	See drawing on p. 3
WEIGHT: In Air	
Transducer	271 g (0.6 lbs)
Electronics	121 g (0.3 lbs)

SOFTWARE SPECIFICATIONS:	
WINDOWS™ OPERATING SYSTEM	Windows™ 98, Me, NT, 2000, XP
ZOOM MODES	1x, 2x, 3x, 4x, and 5x dynamically moveable
RANGE SCALES	10m, 20m, 30m, 40m, 50m, 60m, 80m, 100m, 150m, 200m, 250m, 300m
FILE FORMAT	(filename).872
RECOMMENDED MINIMUM COMPUTER REQUIREMENTS:	800MHz Pentium 3 256 MB RAM 2 GB Hard Disk 1024 x 768 x 256 colour graphics

COMMUNICATIONS PROTOCOL SPECIFICATIONS:	
ETHERNET INTERFACE SPECIFICATION (v1.00)	Filename: Echo Sounder Ethernet Specification.pdf
SOURCE CODE AVAILABLE FOR TESTING	RecordData.exe





ORDERING INFORMATION:		
120 kHz UNIT	Standard	896-000-200
IP Address*	Option	-020

*Note: Standard IP Address is TBA
 A different IP Address may be specified upon ordering.

Product and company names listed are trademarks or trade names of their respective companies.