

---

## IMAGENEX MODEL 881 DIGITAL TILT ADJUST IMAGING SONAR

### APPLICATIONS:

- ROV, AUV, & UUV
- Offshore Oil & Gas
- Sunken Timber Recovery
- Diving Support
- Surveying
- Search & Recovery
- Inspection
- Underwater Archaeology
- Scientific Research
- Site Clearance Work

### FEATURES:

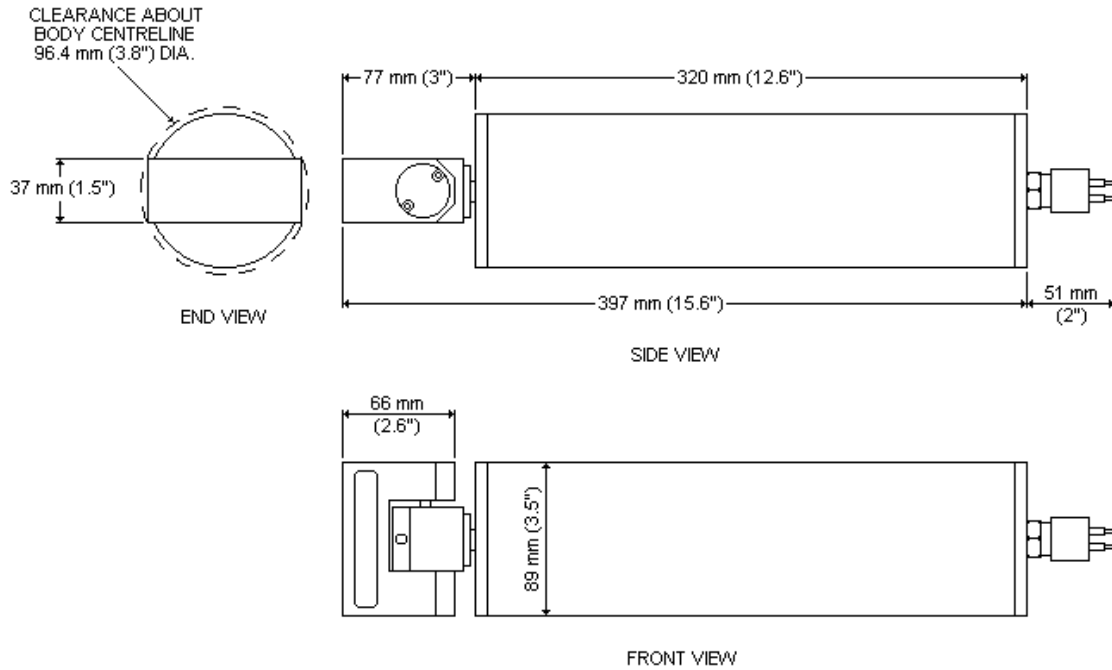
- High performance
- Simple set-up and installation
- Digital telemetry
- Communication format available to user



Picture shown with optional  
low profile end mount connector

The Imagenex Model 881 Tilt Transducer allows the user to concentrate the sound towards the bottom. Typical uses are in bottom mounted stationary tripods for scientific studies of sand wave motion and/or mine burial.





<b>ORDERING INFORMATION:</b>		
<b>1000 m UNIT</b>	Standard	881-000-109
1.3 MHz	Option	-002
2.25 MHz	Option	-003
4 Wire	Option	-008
Low profile end mount connector	Option	-011
Split Head	Option	-014
High Resolution (3 mm)	Option	-015
Interface source code in "C" (TEST8812.C)	Option	-018

Product and company names listed are trademarks or trade names of their respective companies.