



IMAGENEX MODEL 863 DIGITAL ALTIMETER

APPLICATIONS:

- Measure altitude of structures & objects
- Measure range to other structures & objects
- Monitor sedimentation or scouring
- ROV, AUV, & UUV

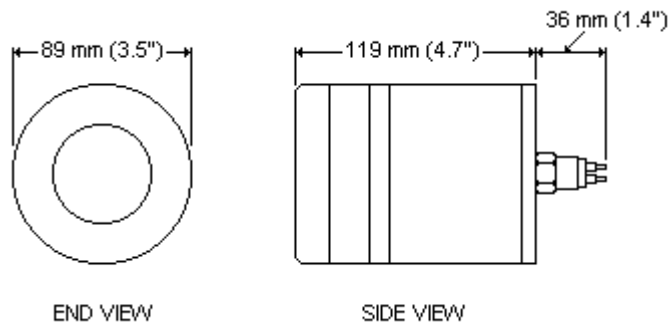
FEATURES:

- NMEA 0183 Serial Output
- Self contained
- Low power
- Compact size



The Imagenex Model 863 is a completely self-contained altimeter with a digital output. It is mounted in a pressure proof housing with an underwater connector for use at depth. The 863 Altimeter measures the range to the bottom or other large objects. It requires only power and an RS-232 or RS-485 serial interface to an external device.

HARDWARE SPECIFICATIONS:	
FREQUENCY	330 kHz
RANGE	0.6 m – 30 m (2' – 100')
TRANSDUCER	Conical beam
TRANSDUCER BEAM WIDTH	10°
TRANSMIT PULSE LENGTH	100 microseconds
RANGE RESOLUTION	20 mm
MIN. DETECTABLE RANGE	0.6 m (2')
MAX. OPERATING DEPTH	1000 m (3000 m and 6000 m available)
INTERFACE	RS-232 @ 4800 bps (RS-485 optional)
CONNECTOR	Four conductor, wet mateable (Subconn MCBH4M-SS)
POWER SUPPLY	22 – 32 VDC at 100 mA max.
DIMENSIONS	89 mm (3.5") diameter x 119 mm (4.7") length Overall length: 155 mm (6.1")
WEIGHT: In Air	1000 m unit: 1 kg (2.2 lbs)
In Water	1000 m unit: 0.4 kg (0.8 lbs)
MATERIALS	6061-T6 Aluminum & PVC
FINISH	Anodized



ORDERING INFORMATION:		
1000 m UNIT	Standard	863-000-200
3000 m UNIT	Standard	863-000-201
6000 m UNIT	Standard	863-000-202
RS-485	Option	-007

Product and company names listed are trademarks or trade names of their respective companies.