



---

## IMAGENEX MODEL 863 DIGITAL ALTIMETER

### APPLICATIONS:

- Measure altitude of structures & objects
- Measure range to other structures & objects
- Monitor sedimentation or scouring
- ROV, AUV, & UUV

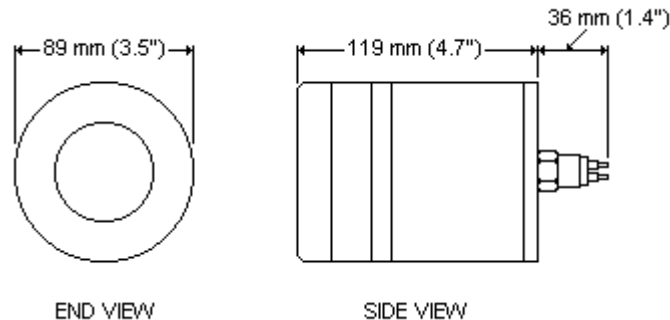
### FEATURES:

- NMEA 0183 Serial Output
- Self contained
- Low power
- Compact size



The Imagenex Model 863 is a completely self-contained altimeter with a digital output. It is mounted in a pressure proof housing with an underwater connector for use at depth. The 863 Altimeter measures the range to the bottom or other large objects. It requires only power and an RS-232 or RS-485 serial interface to an external device.

<b>HARDWARE SPECIFICATIONS:</b>	
<b>FREQUENCY</b>	330 kHz
<b>RANGE</b>	0.6 m – 30 m (2' – 100')
<b>TRANSDUCER</b>	Conical beam
<b>TRANSDUCER BEAM WIDTH</b>	10°
<b>TRANSMIT PULSE LENGTH</b>	100 microseconds
<b>RANGE RESOLUTION</b>	20 mm
<b>MIN. DETECTABLE RANGE</b>	150 mm (6")
<b>MAX. OPERATING DEPTH</b>	1000 m (3000 m and 6000 m available)
<b>INTERFACE</b>	RS-232 @ 4800 bps (RS-485 optional)
<b>CONNECTOR</b>	Four conductor, wet mateable (Impulse MCBH-4-MP-SS)
<b>POWER SUPPLY</b>	22 – 32 VDC at 100 mA max.
<b>DIMENSIONS</b>	89 mm (3.5") diameter x 119 mm (4.7") length Overall length: 155 mm (6.1")
<b>WEIGHT: In Air</b>	1000 m unit: 1 kg (2.2 lbs)
<b>In Water</b>	1000 m unit: 0.4 kg (0.8 lbs)
<b>MATERIALS</b>	6061-T6 Aluminum & PVC
<b>FINISH</b>	Anodized



<b>ORDERING INFORMATION:</b>		
<b>1000 m UNIT</b>	Standard	863-000-200
<b>3000 m UNIT</b>	Standard	863-000-201
<b>6000 m UNIT</b>	Standard	863-000-202
<b>RS-485</b>	Option	-007

Product and company names listed are trademarks or trade names of their respective companies.