

---

## IMAGENEX MODEL 862 ANALOG ALTIMETER

### APPLICATIONS:

- Measure altitude of structures & objects
- Measure range to other structures & objects
- Monitor sedimentation or scouring
- ROV, AUV, & UUV

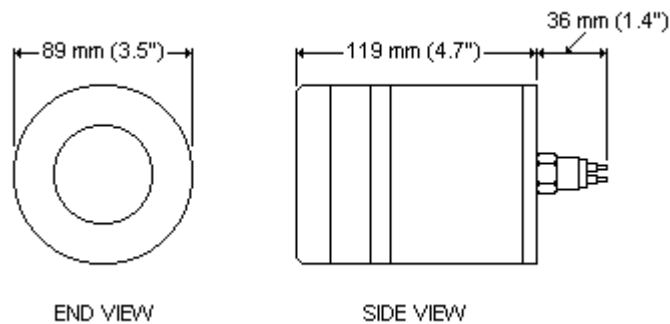
### FEATURES:

- Standard analog output
- Self contained
- Low power
- Compact size



The Imagenex Model 862 is a completely self-contained altimeter with analog output. It is mounted in a pressure proof housing with an underwater connector for use at depth. The 862 Altimeter measures the range to the bottom or other large objects. It requires only power and an analog interface to an external device.

| <b>HARDWARE SPECIFICATIONS:</b> |   |
|---------------------------------|---|
| <b>FREQUENCY</b>                | 330 kHz   |
| <b>RANGE</b>                    | 0.6 m – 30 m (2' – 100')  |
| <b>TRANSDUCER</b>               | Conical beam  |
| <b>TRANSDUCER BEAM WIDTH</b>    | 10°   |
| <b>TRANSMIT PULSE LENGTH</b>    | 100 microseconds  |
| <b>RANGE RESOLUTION</b>         | 20 mm   |
| <b>MIN. DETECTABLE RANGE</b>    | 100 mm  |
| <b>MAX. OPERATING DEPTH</b>     | 1000 m (3000 m and 6000 m available)  |
| <b>OUTPUT</b>                   | 0.2 – 10V (0.1 – 5V optional) proportional to range                           |
| <b>CONNECTOR</b>                | Four conductor wet mateable, Impulse MCBH-4-MP-SS                             |
| <b>POWER SUPPLY</b>             | 22 – 32 VDC at 100 mA max.  |
| <b>DIMENSIONS</b>               | 89 mm (3.5") diameter x 119 mm (4.7") length<br>Overall length: 155 mm (6.1") |
| <b>WEIGHT: In Air</b>           | 1000 m unit: 1 kg (2.2 lbs)   |
| <b>In Water</b>                 | 1000 m unit: 0.4 kg (0.8 lbs)   |
| <b>MATERIALS</b>                | 6061-T6 Aluminum & PVC  |
| <b>FINISH</b>                   | Anodized  |



| <b>ORDERING INFORMATION:</b> |          |             |
|------------------------------|----------|-------------|
| <b>1000 m UNIT</b>           | Standard | 862-000-200 |
| <b>3000 m UNIT</b>           | Standard | 862-000-201 |
| <b>6000 m UNIT</b>           | Standard | 862-000-202 |
| <b>0.1V – 5V OUTPUT</b>      | Option   | -012        |

Product and company names listed are trademarks or trade names of their respective companies.