



# IMAGENEX MODEL 831L DIGITAL PIPE PROFILING SONAR

**APPLICATIONS:**

- Profiling
- Pipeline Inspection
- Scientific Research

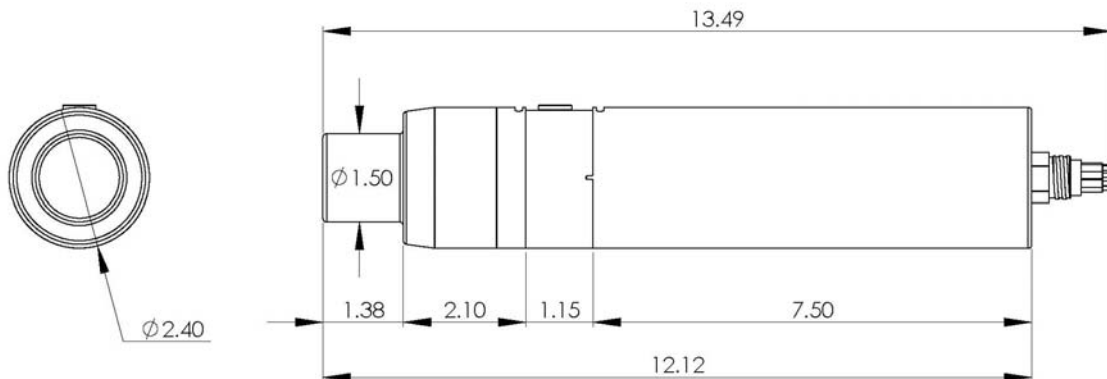
**FEATURES:**

- **Ethernet**
- Programmable
- High performance
- Scans 360° in 1.3 sec (up to 1 m range)
- Low power
- 0.125 m to 6 m operation (full scale)
- Compact size
- Communication format available to user
- Built in Pitch/Roll sensor



<b>HARDWARE SPECIFICATIONS:</b>	
<b>FREQUENCY</b>	2.25 MHz
<b>TRANSDUCER</b>	Profiling type, fluid compensated
<b>TRANSDUCER BEAM WIDTH</b>	1.4° conical
<b>RANGE RESOLUTION</b>	1/250 of full scale range (e.g. 1 mm at 250 mm)
<b>MIN. DETECTABLE RANGE</b>	50 mm (~ 2")
<b>MAX. OPERATING DEPTH</b>	1000 m
<b>MAX. CABLE LENGTH</b>	Standard: 100 m on CAT5e Cable length may be increased up to ~9000 m using an Ethernet extender. Please enquire for more information.
<b>INTERFACE</b>	Standard: 10 Mbps Ethernet (10 BASE-T) using TCP/IP Bit rate may vary if an Ethernet extender is in use.
<b>CONNECTOR</b>	End mounted, eight conductor, wet mateable (Subconn MCBH-8M-SS)
<b>POWER SUPPLY</b>	20 – 32 VDC at less than 5 Watts
<b>DIMENSIONS</b>	61 mm (2.4") diameter x 343 mm (13.5") overall length
<b>WEIGHT: In Air</b>	1.2 kg (2.6 lbs)
<b>In Water</b>	0.4 kg (0.8 lb)
<b>MATERIALS</b>	6061-T6 Aluminum & Polyurethane
<b>FINISH</b>	Hard Anodize

<b>SOFTWARE SPECIFICATIONS:</b>	<b>PipeSonarL.exe</b>
<b>WINDOWS™ OPERATING SYSTEM</b>	Windows™ 98, Me, NT, 2000, XP, Vista
<b>MODES</b>	Polar
<b>RANGE SCALES</b>	0.125 m, 0.25 m, 0.50 m, 0.75 m, 1 m, 2 m, 3 m, 4 m, 5 m, 6 m
<b>TRAIN ANGLES</b>	Continuous rotation, 9° increments
<b>SECTOR SIZE</b>	0° – 351°, 9° increments, or Continuous rotation
<b>STEP SIZE</b>	0.9°
<b>GRID TYPES</b>	Polar and rectangular
<b>FILE FORMAT</b>	(filename).31L
<b>RECOMMENDED MINIMUM COMPUTER REQUIREMENTS:</b>	2 GHz Pentium 4 256 MB RAM 20 GB Hard Disk 1024 x 768 screen resolution



<b>ORDERING INFORMATION:</b>		
<b>1000 m UNIT</b>	Standard	831L-000-200
<b>IP Address*</b>	Option	-020

\*Note: Standard IP Address is 192.168.0.5  
A different IP Address may be specified upon ordering.

Product and company names listed are trademarks or trade names of their respective companies.