



IMAGENEX MODEL 831L DIGITAL PIPE PROFILING SONAR

APPLICATIONS:

- Profiling
- Pipeline Inspection
- Scientific Research

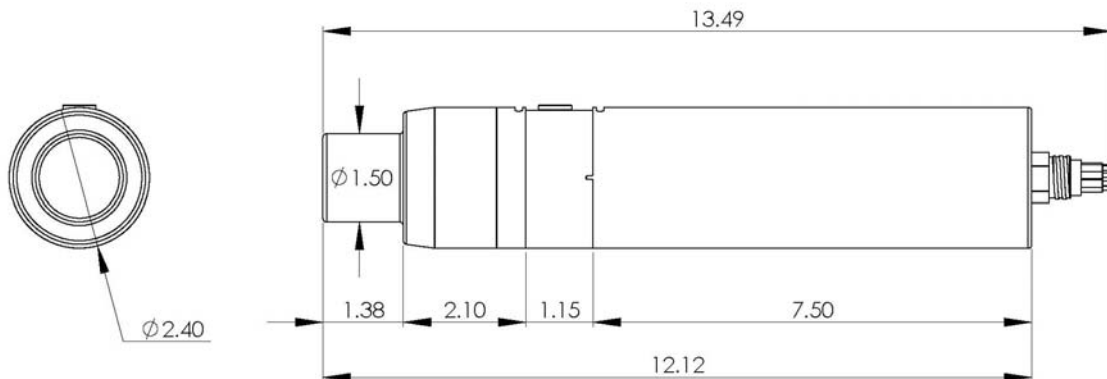
FEATURES:

- **Ethernet**
- Programmable
- High performance
- Scans 360° in 1.3 sec (up to 1 m range)
- Low power
- 0.125 m to 6 m operation (full scale)
- Compact size
- Communication format available to user
- Built in Pitch/Roll sensor



HARDWARE SPECIFICATIONS:	
FREQUENCY	2.25 MHz
TRANSDUCER	Profiling type, fluid compensated
TRANSDUCER BEAM WIDTH	1.4° conical
RANGE RESOLUTION	1/250 of full scale range (e.g. 1 mm at 250 mm)
MIN. DETECTABLE RANGE	50 mm (~ 2")
MAX. OPERATING DEPTH	1000 m
MAX. CABLE LENGTH	Standard: 100 m on CAT5e Cable length may be increased up to ~9000 m using an Ethernet extender. Please enquire for more information.
INTERFACE	Standard: 10 Mbps Ethernet (10 BASE-T) using TCP/IP Bit rate may vary if an Ethernet extender is in use.
CONNECTOR	End mounted, eight conductor, wet mateable (Subconn MCBH-8M-SS)
POWER SUPPLY	20 – 36 VDC at less than 5 Watts
DIMENSIONS	61 mm (2.4") diameter x 343 mm (13.5") overall length
WEIGHT: In Air	1.2 kg (2.6 lbs)
In Water	0.4 kg (0.8 lb)
MATERIALS	6061-T6 Aluminum & Polyurethane
FINISH	Hard Anodize

SOFTWARE SPECIFICATIONS:	PipeSonarL.exe
WINDOWS™ OPERATING SYSTEM	Windows™ 98, Me, NT, 2000, XP, Vista
MODES	Polar
RANGE SCALES	0.125 m, 0.25 m, 0.50 m, 0.75 m, 1 m, 2 m, 3 m, 4 m, 5 m, 6 m
TRAIN ANGLES	Continuous rotation, 9° increments
SECTOR SIZE	0° – 351°, 9° increments, or Continuous rotation
STEP SIZE	0.9°
GRID TYPES	Polar and rectangular
FILE FORMAT	(filename).31L
RECOMMENDED MINIMUM COMPUTER REQUIREMENTS:	2 GHz Pentium 4 256 MB RAM 20 GB Hard Disk 1024 x 768 screen resolution



ORDERING INFORMATION:		
1000 m UNIT	Standard	831L-000-200
IP Address*	Option	-020

*Note: Standard IP Address is 192.168.0.5
A different IP Address may be specified upon ordering.

Product and company names listed are trademarks or trade names of their respective companies.